



Home Office

**UK Border
Agency**

SOCA

SERIOUS ORGANISED CRIME AGENCY



WORKING IN PARTNERSHIP

Lorry Crime Prevention

Information for drivers on preventing road freight crime and illegal immigration





Introduction

This booklet has been produced for lorry drivers who transport freight to and from the United Kingdom (UK).

The information and advice in this booklet will make you aware of the potential threats to your vehicle and how to minimise the risk of becoming a victim of crime.

Please take time to read this useful information and keep it safe.

Part 1: Preventing Lorry and Load Theft4

Part 2: Preventing Illegal Immigration.....8

Part 1: Preventing Lorry and Load Theft

Road freight crime is a common problem across Europe and costs the UK economy up to £250million every year. This causes huge economic loss and disruption to the haulage industry and its drivers.

Lorries and their trailer loads are often very valuable; criminals know this so will look to target vulnerable vehicles and loads to steal them.

By following this simple advice you can prevent lorry theft and reduce the chance of becoming a victim of crime.

Be secure

- Always secure your lorry when you leave it - lock and set alarms.
- Always take your keys with you - never leave them in the cab.
- While driving - lock the trailer load doors.
- Lock your cab when loading or unloading.

Plan ahead

- Plan your route before you start your journey.
- Avoid taking the same routes or stops for breaks. A recognisable pattern makes you an easier target for criminals.
- Arrange a procedure with your company for authorising changes to your delivery destination.

Park Safely

- Before starting your journey, decide where you are going to park overnight.
- Use secure overnight lorry parks with the Park Mark® label.
- Locations of secure lorry parks in England are at www.highways.gov.uk/knowledge/13659.aspx
- Park your lorry where you can see it.
- Park with the loading doors close to another vehicle or wall. When returning to your lorry, check for signs of any interference. Record your check on a checklist.



Be Aware

- Never pick up passengers.
- Do not leave your personal property on view in the cab.
- Avoid talking about loads or routes with other drivers or customers (including over radios and telephones).
- Protect documents such as shipping orders and consignment notes. If these are stolen, criminals can use them to pick up valuable loads.

Criminal Traps

Criminals may try to stop you while you are driving or delivering by using a number of different methods to steal your lorry or load.

These include 'staged' accidents, impersonating police officers or pretending that your trailer doors are open.

Below are details of two common traps that criminals use and how to prevent them:

'Round The Corner' Theft

Criminals pretend to be working at your delivery destination. They may appear to know what load you are carrying and even dress in staff uniforms or high visibility jackets. Various cover stories are used, such as a flooded warehouse, broken forklift or long queues ahead; they will offer to help you unload or take you 'round the corner' to another yard to unload.

If you are approached and asked to unload at a different destination, always telephone your own transport office to check that the request is genuine.

If you are driving and receive a telephone call asking you to divert to another destination (and don't recognise the caller), always telephone your own transport office to check that the request is genuine.

Bogus Police or Vehicle and Operator Services Agency (VOSA) Officers

Criminals have been known to impersonate police or VOSA officers and may try to stop you in an unmarked vehicle or even telephone you to pull into the hard shoulder.

If you are stopped by an unmarked vehicle, pull over when it is safe to do so in a well - lit public area. Stay in your cab with the engine running and doors locked. Telephone your transport office to tell them that you have been stopped.

Genuine police officers will have no objection to being asked to verify details through a police control room. If police or VOSA officers need to stop your lorry, they will usually be able to use a marked vehicle for this.

To recognise genuine VOSA vehicles and officers visit:
<http://www.rha.uk.net/docs/internet/adviceandinformation/VOSA%20RHA%20Vosa%20stops%202009.pdf>



IF YOU HAVE ANY SUSPICIONS, TELEPHONE FOR HELP!

If you think a vehicle is following you then telephone your transport office.

If you think you are in danger, telephone 999 for the police

If you are attacked telephone your transport office and the police as soon as you can.



Part 2: Preventing Illegal Immigration

All road hauliers, including drivers, must operate an effective system to protect their vehicle.

By following a simple checklist and securing your vehicle, you can reduce travel delays; and a possible penalty of up to £2,000 per person found.

People trying to gain entry to your vehicle only need to spot an unlocked trailer door, a cheap padlock or tilt cord to make their move. If you know your vehicle security looks weak, so will they.

Many of the steps suggested are common sense, but they can make a real difference to your journey.

You should always:

- Get a checklist and vehicle security instructions from your employer. If possible, watch the vehicle being loaded to ensure that no one enters who shouldn't.
- Secure your load with a tilt cord, use strong padlocks or seals for load doors and panniers.
- Check wind deflector and axles.
- Check the fabric, roof and security devices of the vehicle for damage.

- If there is evidence of damage or tampering check the load and load space and re-apply security devices.
- Record the checks made on the checklist, at loading, after every stop and before arriving at the border.



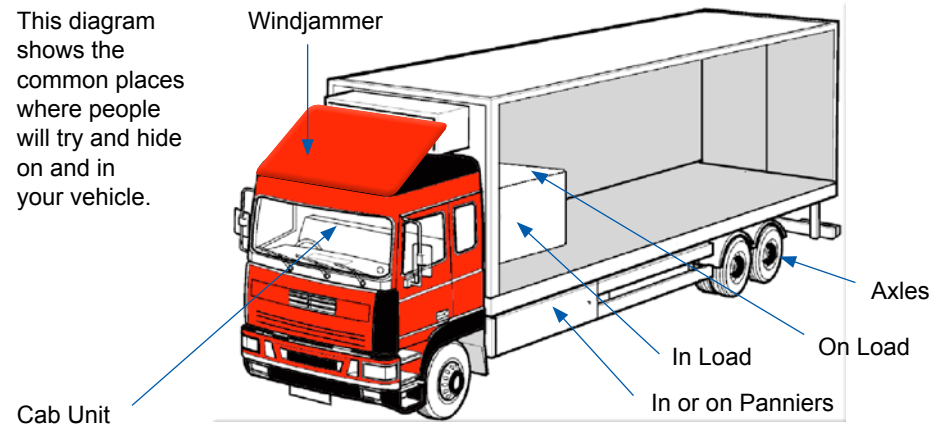
Tilt cords can be cut by criminals to get into your trailer. They can be glued or pinned together to give the impression they haven't been tampered with.

Remember:

Be vigilant and speak to a UK Border Agency officer or the police if you suspect that someone has entered or tampered with your vehicle.

Hiding Locations

This diagram shows the common places where people will try and hide on and in your vehicle.



Parking in Northern France

People attempting to gain entry to the UK illegally will look for lorries which they believe are heading for the UK.

An effective way to deter people is to park facing away from the port, on the other side of the road. This will give the appearance you are travelling away from the UK and will therefore be far less appealing.

To reduce the risk of delay and a possible penalty from the UK Border Agency, make sure that you read and follow the guidance contained in these UK Border Agency documents:

Prevention of Clandestine Entrants: Code of Practice

How to Avoid a Penalty (10 step guidance for drivers)

Secure, Check, Record (vehicle security checklist)

You can find this information on our website:

<http://www.ukba.homeoffice.gov.uk/aboutus/workingwithus/transportindustry/vehicleoperators/>



Produced by
UK Border Agency
© Crown copyright April 2011